

INFINITE RANGE - HINGE DOOR

HINGE DOOR FOR RECESS APPLICATION

Please read these instructions before installing, as incorrect fitting will invalidate the guarantee-carry out each stage before moving onto the next. There are three sets of instructions enclosed in this pack. Select the set to suit your configuration.

1. Hinge Door Only (Recess)
2. Hinge Door + 1 Side Panel (Corner)
3. Hinge Door +2 Side Panels (Peninsula)

If you are unsure about these instructions please contact Kudos Shower Products:

Customer Service Helpline: 01539 564040

IMPORTANT SAFETY NOTICE

The glass supplied with this enclosure is toughened safety glass in accordance with British Safety Standards. Care should be exercised when handling the glass to avoid knocking or bumping the glass, particularly the edges and corners of the glass as this could cause the glass to shatter into small fragments. It is essential to protect the glass by resting it on a soft protective surface during installation such as cardboard or carpeting.

KEY STAGES TO INSTALLATION

- 1 Check package contents
- 2 Install wall frames vertical and plumb.
- 3 Fit fixed glass side panels
- 4 Fit Head and Bottom rails
- 5 Adjust, plumb, level then tighten clamps
- 6 Fit door glass onto hinges
- 7 Fit the handle
- 8 Fit the door seals
- 9 Fit wall profile covers
- 10 Fit seals between glass and wall profiles
- 11 Remove protective film from wall profile covers
- 12 Silicone seal the unit

TOOLS REQUIRED

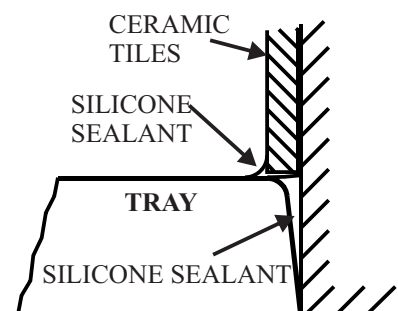
- Flat-headed screwdriver - medium
- Pozi-drive screwdriver - medium
- Spirit level
- Tape measure
- Silicone sealant - clear
- Electric drill
- 7mm masonry drill
- 4mm & 2.5mm allen keys (supplied)
- Scissors
- Pencil
- Screw wizard tool (supplied)



Use this useful screw wizard tool to insert screws through wall profiles into wall and start first one or two turns then use your conventional screw driver.

IMPORTANT

- Check appearance of shower enclosure. Any defects must be reported to Kudos Shower Products before assembly / installation.
- Claims for imperfections will only be accepted prior to assembly / installation
- Ensure shower tray is level in all directions
- Prior to installation, any gap or crevice between the rim of the tray and wall must be filled with silicone sealant flush with the rim of the tray - see detail opp.
- Waterproof walls using ceramic tiles/shower panels etc., before installation.
- Check the enclosure adjustment sizes are suitable for your installation
- Use care when drilling into walls to avoid hidden pipes or electrical cables



CLEANING

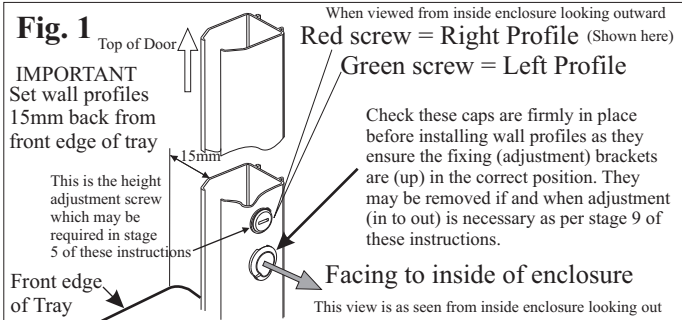
GENERAL- use only warm soapy water and damp cloth/sponge on a regular basis.

Do not use abrasive scouring powders, chemicals or aerosol cleaners- these may result in damage to the surfaces, in particular, the chrome plated component parts

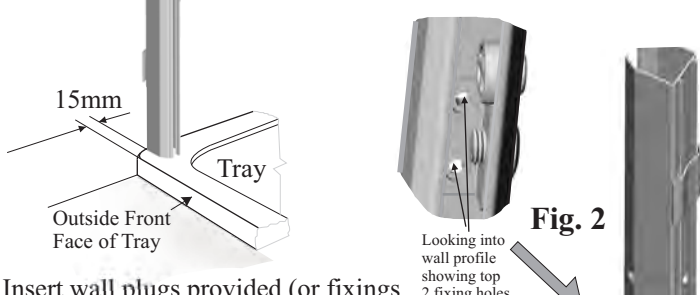
THESE INSTRUCTIONS ARE TO BE LEFT WITH THE USER

1 CONTENTS, carefully check contents. It is advisable to keep contents in protective packing until required.

2 FITTING THE WALL PROFILES, When looking outward from inside of the enclosure, the left wall profile is identified by the green screw which should face the inside of the enclosure and be nearest to the top. Similarly the right wall frame is the one with the red screw which should face the inside of the enclosure and be nearest to the top. (See below Fig.1)



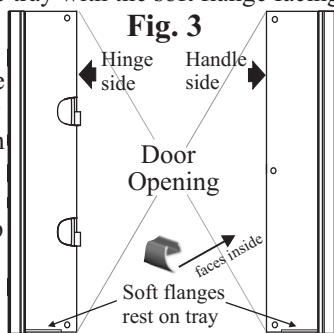
Each wall profile is screwed to the wall with 4 No8x30 screws and wall plugs (provided). Position one wall profile on tray 15mm from front face of tray (see Fig.2) and using a spirit level ensure it is vertical (not leaning backwards or forwards in the opening). Mark the position of the 4 holes on the wall wall profile. Remove wall profile and drill holes through the wall using 7mm masonry drill bit.



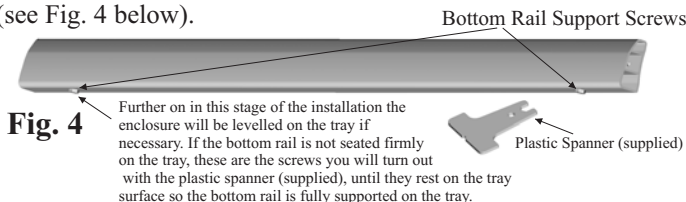
Insert wall plugs provided (or fixings to suit the construction of your walls) screw wall profile into position. Then repeat stage 2 for the other wall profile. Use spirit level to check the wall profiles are vertical. If not, adjust using the lateral adjustment screws: (see "Guide to Adjustments" in stage 6 further in these instructions to identify the lateral adjustment screws)

3 FITTING GLASS PANELS, Place narrow panel with the hinge plates on the hinge side of the enclosure and slide the glass into the wall profile so the hinges are facing the outside. The bottom seal should rest on the tray with the soft flange facing inwards. Gently tighten the glass clamp screws, see Fig.7 (do not fully tighten at this stage, just take up the slack). Fit the other narrow panel to opposite wall profile with the 3 holes adjacent to the door opening and gently tighten the glass clamp screws only taking up the slack at this stage.

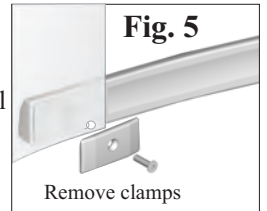
DO NOT pull out either panel beyond the guide line marks on the glass at the top & bottom positions. This line must not protrude outside the wall profile or the glass clamp will not grip the glass. Do not fully tighten glass clamp screws at this stage. See Fig 7a



4 FITTING HEAD AND BOTTOM RAILS, The bottom rail is the one with the nylon rail support screws fitted to the underside (see Fig. 4 below).



4 Continued..... Remove clamp plates from the ends of the bottom rail Fig.5 and fit rail to the fixed glass panels at the bottom, re-fit the clamps at each end with the screw passing through the glass hole. Similarly fit the top rail in position.

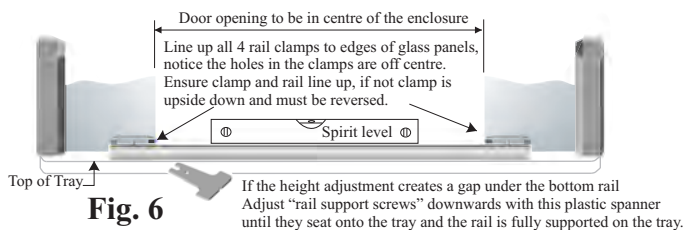


IMPORTANT:

To ensure the door opening is the correct width, line up the head and bottom rail clamps with the vertical and horizontal edges of both the fixed glass panels, moving the panels in the wall profiles if necessary. Ensure fixed glass panels are both vertical and the door opening is central then fully tighten all four rail clamps.

5 ADJUSTING & TIGHTENING Check that none of the line markings on the fixed glass panels, at the glass clamps in the wall profiles, are protruding outside of the wall profiles, see Fig 7a. If necessary adjust by sliding the entire unit of fixed panels with head and bottom rails to the left or right, Check that both fixed panels are still vertical and head and bottom rails are still parallel then fully tighten the 6 glass clamps. The design makes it impossible to break the glass by over tightening because the screw heads will tighten against the wall profiles first. So do ensure these are fully tight (See Fig.7)

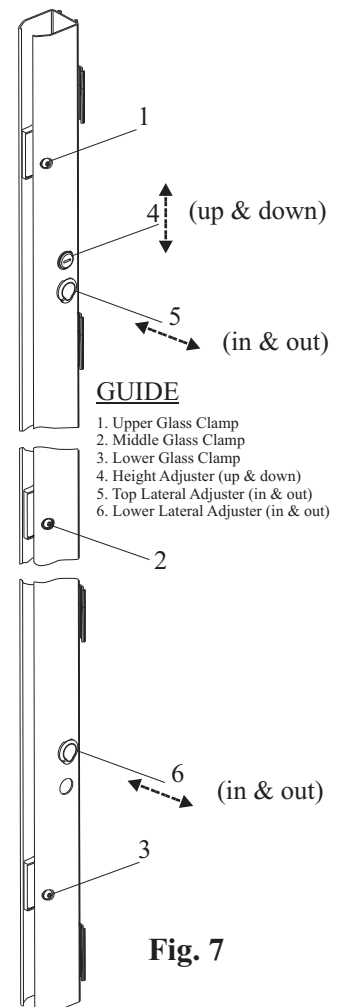
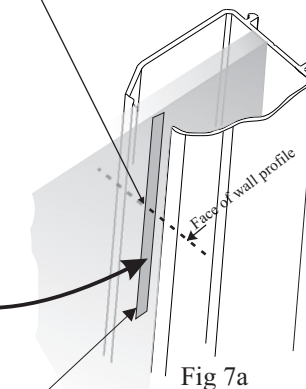
Place a spirit level onto the bottom rail and check if this is level. If not, use the height adjustment screws to level the unit. See the "Guide to Adjustments" in stage 6



6 Guide to adjustments shown on inner face of wall profile

The unit is designed to enable 3 dimensional adjustment during installation without removing any part of the unit already installed. The diagram here illustrates the adjustments possible and their location.

Line must not protrude outside of wall profile



GUIDE

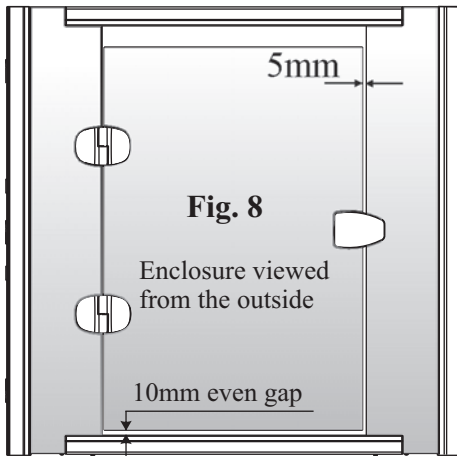
1. Upper Glass Clamp
2. Middle Glass Clamp
3. Lower Glass Clamp
4. Height Adjuster (up & down)
5. Top Lateral Adjuster (in & out)
6. Lower Lateral Adjuster (in & out)

7 FITTING THE DOOR. *Note: Due to the weight of the door, this stage requires two persons to lift the door into position.* Carefully lift the door from the protective packaging and lift it into position so that the hinge spindles are directly aligned to the hinge holes. Gently lower into position taking care to guide the spindles into the holes. **DO NOT BUMP GLASS WHEN FITTING - THE EDGES AND CORNERS ARE THE MOST VULNERABLE AND CHIPPING THESE COULD CAUSE THE SAFETY GLASS TO FRAGMENT.**

If the opening was correctly set in stage 4, the gap on the handle side and underside of the door will be:

5mm on the handle side of the door to the fixed panel
10mm between door & bottom rail.

Should this not be the case please remove the door and repeat stage 4, otherwise proceed to stage 8.



Handle shown here but not yet fitted

8 FITTING THE HANDLE Remove handle from packaging.

Separate the front from the back half by removing the two m6 Allen key screws using the 4mm Allen key (supplied). Assemble handle onto door and loosely screw together in place.

Move the handle until the small clear button on the inside face of the outer handle is central over the round magnetic catch in the fixed glass panel. Tighten fully the m6 Allen key screws. Remove the screw cover from the installation parts package and press onto the screw cavity in the handle.

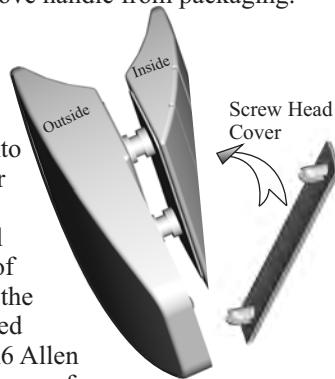


Fig. 9

9 FINAL ADJUSTMENT CHECK, If the door and fixed panels are not aligned vertically, adjust the upper lateral adjustment screw in or out while watching to see which direction corrects the alignment. See Fig 10 below. If this does not correct the line up after the screw has been adjusted to its limit, then turn the lower lateral adjustment screw in the opposite direction to which you turned the upper one. This doubles the amount of adjustment that is possible.

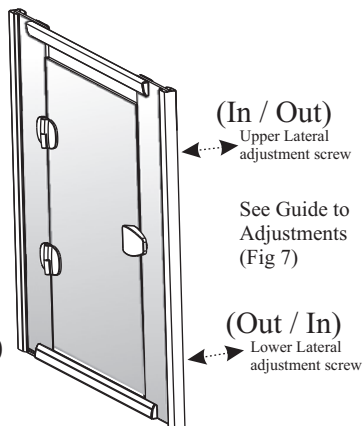
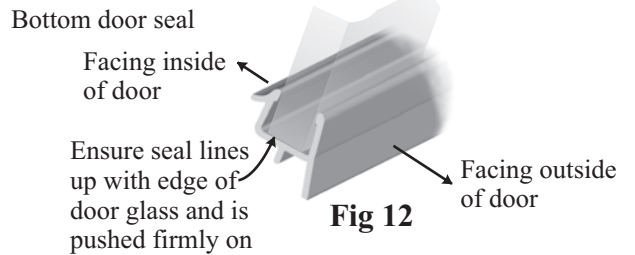
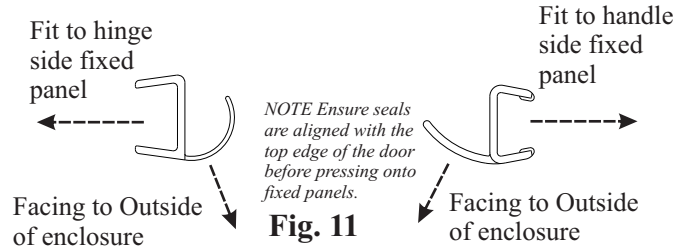


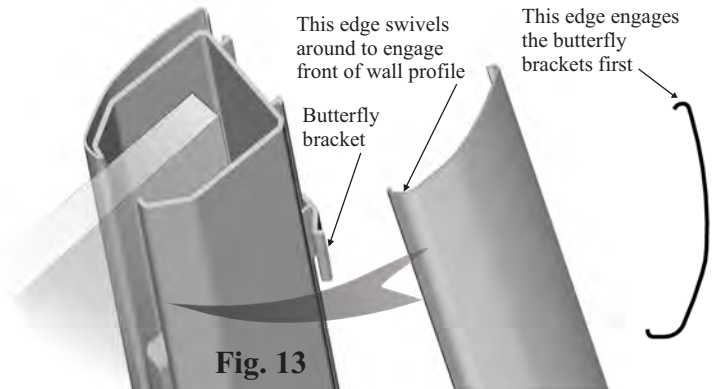
Fig. 10

10 FITTING THE DOOR SEALS. Identify the hinge side door seal. Position this seal against panel on hinge side ensuring the top of the seal is in line with the top of the door. Press over glass ensuring it is fully seated over the entire length. Next fit the door closing side seal in similar manner. **To make it easier to fit, run a wet cloth down the edge of the glass to which the seal is to be fitted.**



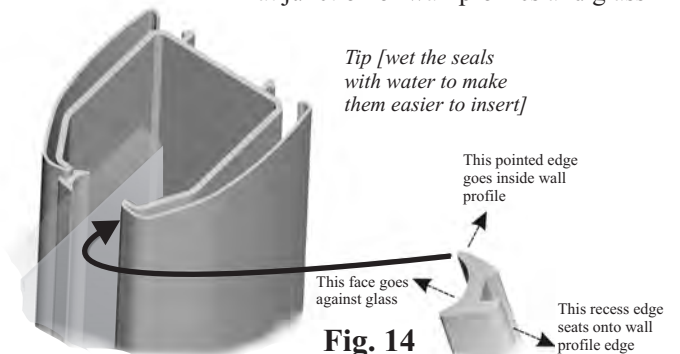
11 FITTING THE WALL PROFILE COVERS Care should be used when handling these covers, before they are fitted to the wall profiles.

Ensure nylon butterfly brackets are correctly spaced by sliding the top one as far up as it will easily go and the lower one as far down as it will easily go. The other two should be spaced equally between the top and bottom. Engage the back edge of the wall profile cover over all four butterfly brackets and then swivel the cover around to engage over the front of the wall profile and clip into position. NOTE The “flatter” edge of the covers are towards the door opening and the tighter rolled edge engages the butterfly brackets.



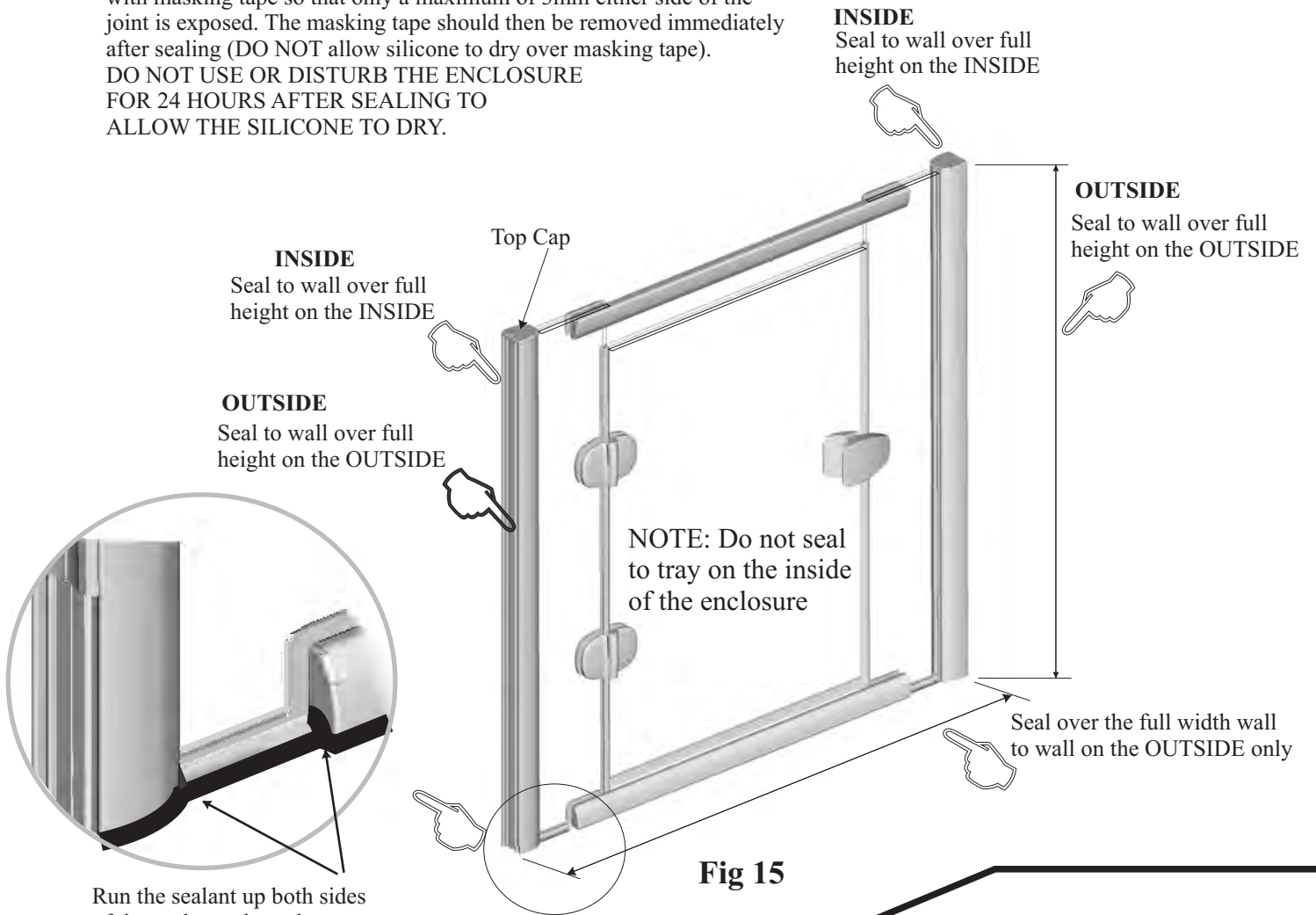
12 FITTING THE GLASS PANEL SEALS. NEXT Fit the glass seals at junction of glass and wall profiles. Remove the plastic protective film from the wall profile covers at this time by peeling it away.

Fit glass edge seals to both inner and outer faces of two fixed panels at junction of wall profiles and glass



13 FIT THE TWO TOP CAPS to the wall profiles using the No.6 x 12 screws supplied.

FINALLY SEAL THE ENCLOSURE, Using a clear silicone sealant apply a thin bead to all the edges as shown. To achieve a neat finish it is recommended that each joint to be sealed is masked either side with masking tape so that only a maximum of 3mm either side of the joint is exposed. The masking tape should then be removed immediately after sealing (DO NOT allow silicone to dry over masking tape). DO NOT USE OR DISTURB THE ENCLOSURE FOR 24 HOURS AFTER SEALING TO ALLOW THE SILICONE TO DRY.



Run the sealant up both sides of the gaskets where they meet the wall profiles and bottom rail - do this on both fixed panels to the left and right of the door on the OUTSIDE only

14

