

INFINITE RANGE - CENTRE ACCESS SLIDER

STRAIGHT SLIDING DOOR CENTRE ACCESS FOR RECESS APPLICATION

Please read these instructions before installing, as incorrect fitting will invalidate the guarantee-carry out each stage before moving onto the next. There are three sets of instructions enclosed in this pack. Select the set to suit your configuration.

1. Centre Access Slider Door Only (Recess)
2. Centre Access Slider Door + 1 Side Panel (Corner)
3. Centre Access Slider Door +2 Side Panels (Peninsula)

If you are unsure about these instructions please contact Kudos Shower Products:

Customer Service Helpline: 01539 564040

IMPORTANT SAFETY NOTICE

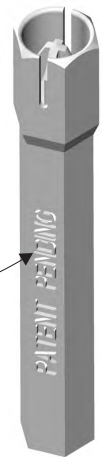
The glass supplied with this enclosure is toughened safety glass in accordance with British Safety Standards. Care should be exercised when handling the glass to avoid knocking or bumping the glass, particularly the edges and corners of the glass as this could cause the glass to shatter into small fragments. It is essential to protect the glass by resting it on a soft protective surface during installation such as cardboard or carpeting.

KEY STAGES TO INSTALLATION

- 1 Check package contents
- 2 Install wall frames vertical and plumb.
- 3 Fit fixed glass side panels
- 4 Fit Head and Bottom rails
- 5 Adjust, plumb, level then tighten clamps
- 6 Fit door glass onto hinges
- 7 Fit the handle
- 8 Fit the door seals
- 9 Fit wall profile covers
- 10 Fit seals between glass and wall profiles
- 11 Remove protective film from wall profile covers
- 12 Silicone seal the unit

TOOLS REQUIRED

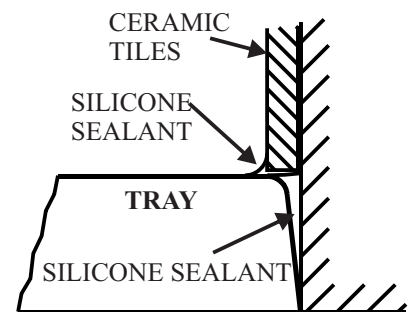
- Flat-headed screwdriver - medium
- Pozi-drive screwdriver - medium
- Spirit level
- Tape measure
- Silicone sealant - clear
- Electric drill
- 7mm masonry drill
- 4mm & 2.5mm allen keys (supplied)
- Scissors
- Pencil
- Screw wizard tool (supplied)



Use this useful screw wizard tool to insert screws through wall profiles into wall and start first one or two turns then use your conventional screw driver.

IMPORTANT

- Check appearance of shower enclosure. Any defects must be reported to Kudos Shower Products before assembly / installation.
- Claims for imperfections will only be accepted prior to assembly / installation
- Ensure shower tray is level in all directions
- Prior to installation, any gap or crevice between the rim of the tray and wall must be filled with silicone sealant flush with the rim of the tray - see detail opp.
- Waterproof walls using ceramic tiles/shower panels etc., before installation.
- Check the enclosure adjustment sizes are suitable for your installation
- Use care when drilling into walls to avoid hidden pipes or electrical cables



CLEANING

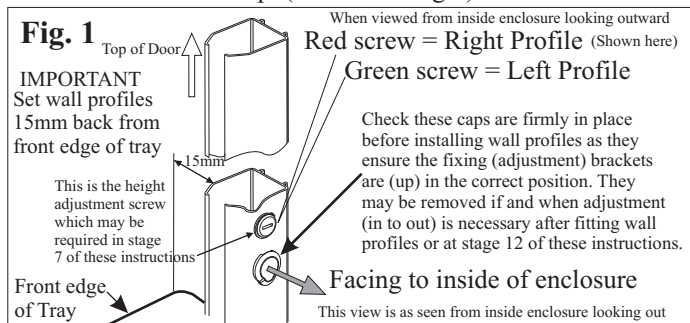
GENERAL- use only warm soapy water and damp cloth/sponge on a regular basis.

Do not use abrasive scouring powders, chemicals or aerosol cleaners- these may result in damage to the surfaces, in particular, the chrome plated component parts

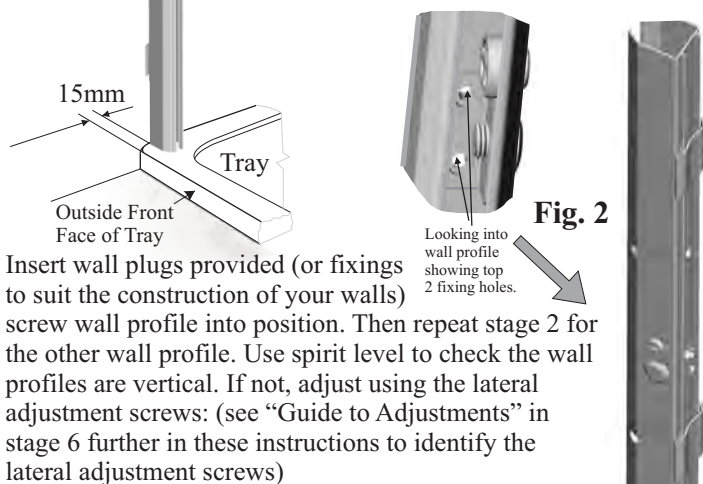
THESE INSTRUCTIONS ARE TO BE LEFT WITH THE USER

1 CONTENTS, carefully check contents. It is advisable to keep contents in protective packing until required.

2 FITTING THE WALL PROFILES, When looking outward from inside of the enclosure, the left wall profile is identified by the green screw which should face the inside of the enclosure and be nearest to the top. Similarly the right wall frame is the one with the red screw which should face the inside of the enclosure and be nearest to the top. (See below Fig.1)

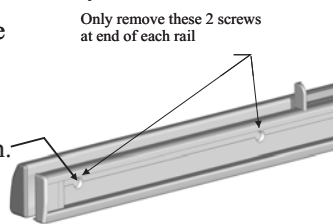


Each wall profile is screwed to the wall with 4 No8x30 screws and wall plugs (provided). Position one wall profile on tray 15mm from front face of tray (see Fig.2) and using a spirit level ensure it is vertical (not leaning backwards or forwards in the opening). Mark the position of the 4 holes on the wall through the wall profile. Remove wall profile and drill holes in wall using 7mm masonry drill bit.



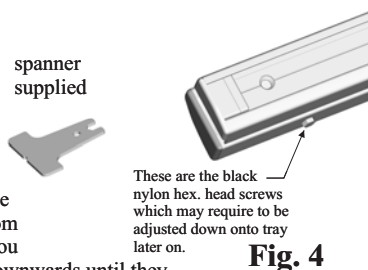
3 PREPARING THE RAILS, The bottom rail has nylon height adjustment screws pre-fitted. These are the black nylon hexagonal headed screws that may be adjusted, if necessary, later on to ensure the rail is fully supported onto the tray.

Remove the m4-csk screws from the inside face of both rails at the ends (2 screws at each end) this is where the glass will be clamped see Fig.3 and keep these ready for use later on.



The top rail does not have the height adjustment screws.

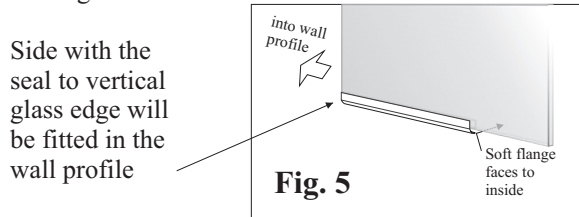
Fig. 3



If the height adjustment in stage 7 of these instructions, creates a gap under the bottom rail - this is the spanner (supplied) that you will use to adjust "rail support screws" downwards until they seat onto the tray for the rail to be fully supported on the tray.

Fig. 4

4 FITTING GLASS PANELS, The fixed panels can now be fitted. Each panel is pre-fitted with a bottom gasket as shown in Fig. 5 below. Ensure when fitting these panels that the soft seal is facing inwards into the shower.



Side with the seal to vertical glass edge will be fitted in the wall profile

Step A:
Lay bottom rail onto tray approximately in the centre and 15mm back from vertical flat front face of tray.

Step B:
Slide the fixed panel into the glass clamps in the wall profile keeping the bottom edge of the panel just above the rail.

Step C:
Slide panel down into the recess in the bottom rail. Make sure glass is pushed up to and touching the clear plastic part in the bottom rail. The bottom seal must rest on the tray with the soft flange facing inwards.

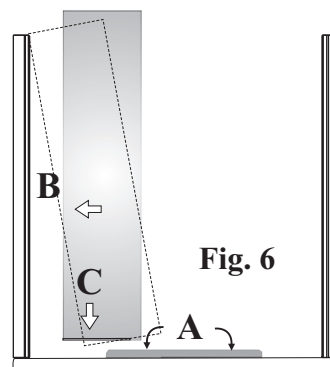


Fig. 6

Step D:
Now replace the two m4 csk screws which were removed in stage 3 (see Fig.4) of these instructions, into the holes as shown here and tighten using 2.5mm allen key (supplied) to clamp glass to rail.

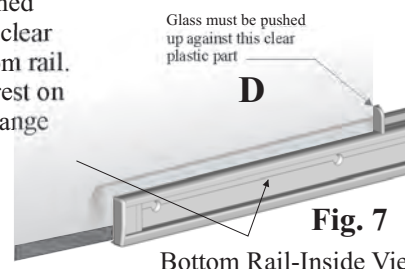


Fig. 7

Bottom Rail-Inside View

Step E:
Now repeat this procedure to fit the other fixed panel on the opposite side.

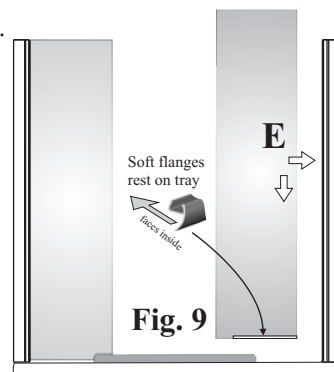


Fig. 9

Step F:
Now position the top rail onto the two glass panels ensuring the glass is fully inserted into the rail. Push each glass panel against the clear plastic part as before. Insert the remaining m4 csk screws into the holes at each end of the rail and tighten

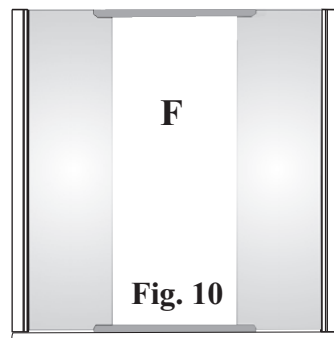


Fig. 10

- 5** The two glass panels and the top and bottom rails now form a rigid unit that can be moved to the left or right. Ensure the unit is correctly positioned so that the gap between the end of the rails and the wall profiles is the same on both sides.

Slide glass panels and top and bottom rails as one unit to left or right to set gaps equally. Place spirit level onto edge of each glass panel to check for vertical. If necessary push on glass to set in vertical position.

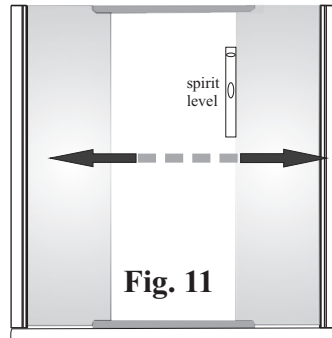


Fig. 11

Now tighten the glass clamps in the wall profiles using the 2.5mm allen key provided. To identify the glass clamps in the wall profile see Fig. 12 below The design makes it impossible to break the glass by over tightening because the screw heads will tighten against the wall profiles first. So do ensure these are fully tight

- 6** Guide to adjustments shown on inner face of wall profile

The unit is designed to enable 3 dimensional adjustment during installation without removing any part of the unit already installed. The diagram here illustrates the adjustments possible and their location.

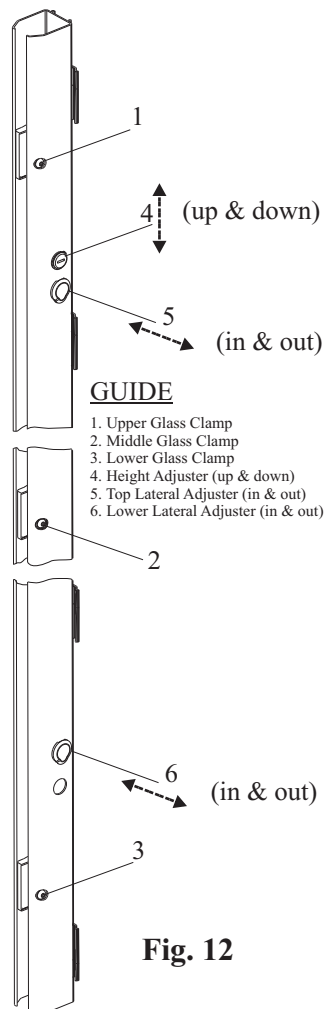


Fig. 12

- 7** **LEVELLING THE UNIT**, Place a spirit level onto the bottom rail and check if this is level. If not, use the height adjustment screws to level the unit by raising the relevant side See the “Guide to Adjustments” above in stage 6. If it has been necessary to adjust the height to level the unit. the rail support screws may need to be adjusted downwards until the rail is fully supported on the tray - see Fig.4 in stage 3 of these instructions.

- 8** **FITTING WEDGE GASKETS**, Insert the seals as shown below, Fig.14 - into the recess between the glass and the bottom rail at the ends of the fixed panels where they are clamped into the rail.

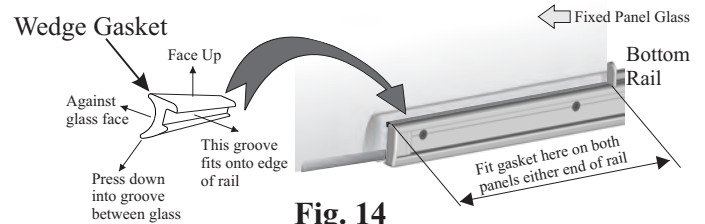


Fig. 14

Press wedge gasket seal down until it seats firmly into the recess and locates aluminium bottom rail into the groove as indicated. If difficult to fit, wet the seal and glass with a little water.

- 9** **FITTING THE SLIDING DOORS**, Each sliding door has four wheels pre-fitted. In order to insert the top wheels into the top track as shown in Fig. 15 - it will be necessary to loosen the four bottom wheels. Each door can then be angled as shown and the two top wheels inserted into the track, then lower the door into position by guiding the two bottom wheels into the bottom track.

CHECK if the doors are hanging vertical to the fixed side panels by comparing the glass edges. Also carefully bring the two doors towards the central closed position (DO NOT BUMP THE GLASS DOORS INTO EACH OTHER) to see they are parallel on the vertical closing edges. If not, the doors can be adjusted by loosening one or both of the top wheels and moving door glass into correct position, then while holding the glass re-tighten the top wheels. Check again if doors are now hanging correctly then re-tighten the bottom wheels, ensuring they are pushed upward in the bottom track. This will prevent the door from “jumping” out of the track.

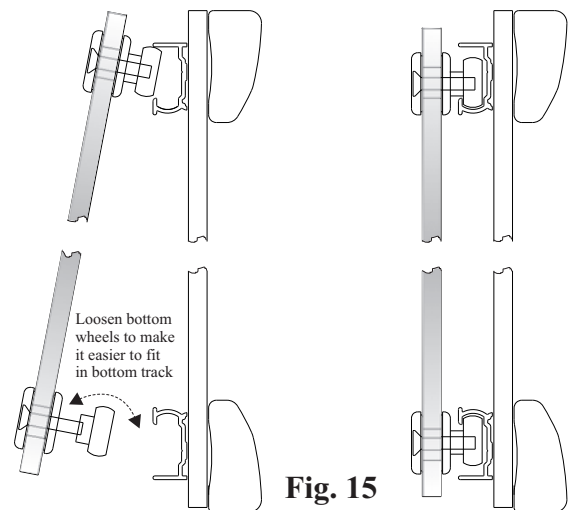


Fig. 15

THIS IMAGE IS SHORTENED IN HEIGHT FOR CLARITY

- 10** **FITTING THE HANDLES**, Remove the handles from the packaging and remove the top and bottom screws. Fit to glass in accordance with the detail below, Fig.16 - Ensure handles are vertical then tighten screws through glass and push in screw covers.

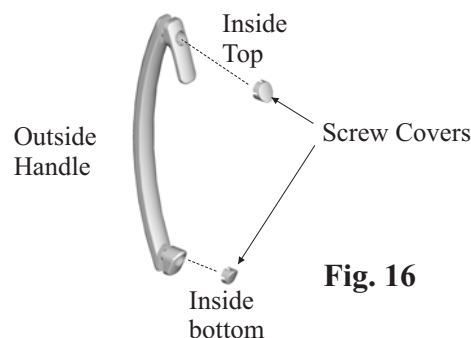


Fig. 16

11 FITTING THE DOOR SEALS,

Fit the seals shown in Fig. 18 to the overlap sides. The long notched seal fits onto the sliding door glass and the shorter seal fits to the fixed panel as shown. Ensure gasket in Fig. 18 on the fixed panel at overlap is pushed firmly down onto the clear plastic part in the bottom rail. Now fit door seals as in Fig. 19

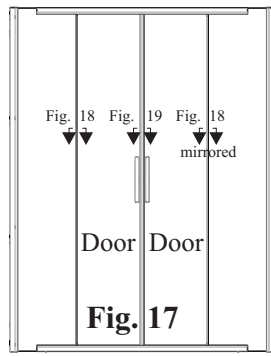


Fig. 17

To make it easier to fit, run a wet cloth down the edge of the glass to which the seal is to be fitted.

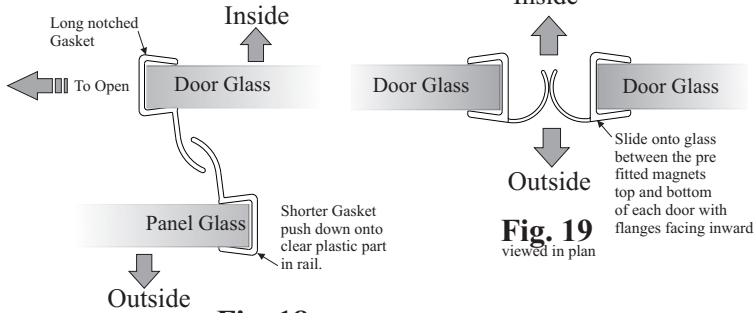


Fig. 18
viewed in plan

Fig. 19
viewed in plan

12 FINAL CHECK AND ADJUSTMENT, Open and close the sliding doors and check that they run smoothly. If not, check that the frame is vertical (in to out) and not twisted. If necessary the frame can be adjusted using the lateral adjustment screws see Fig. 12 in guide to adjustments stage 6

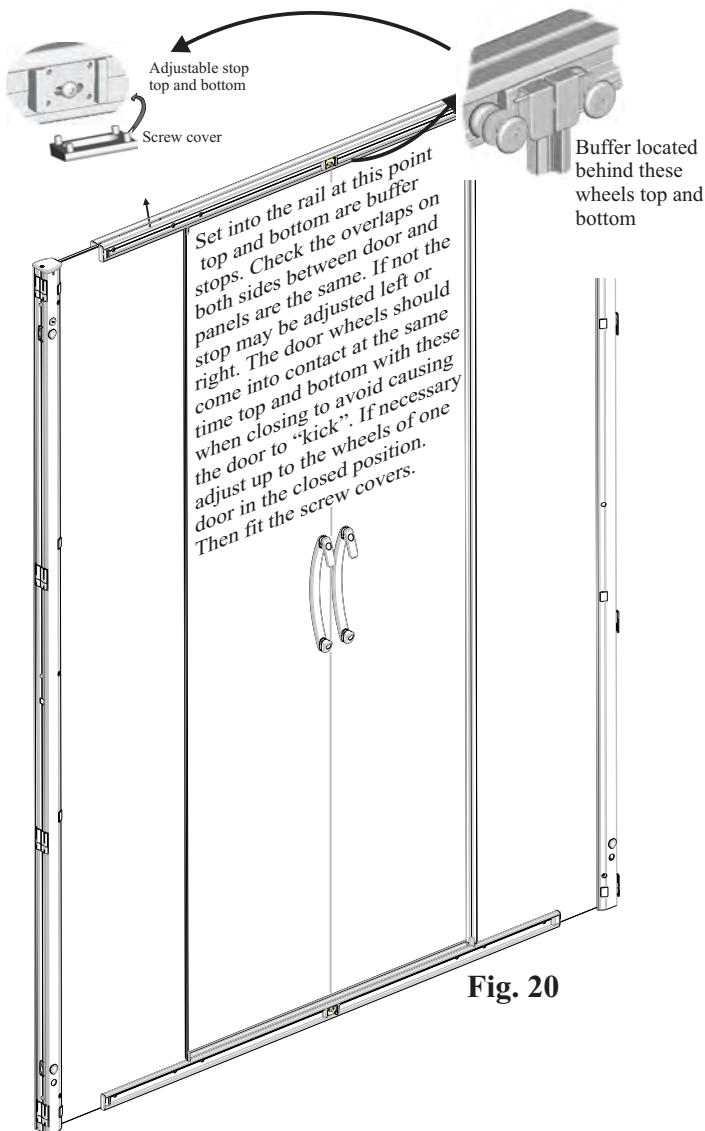


Fig. 20

13 FITTING THE WALL PROFILE COVERS Care should be used when handling these covers, before they are fitted to the wall profiles.

Ensure nylon butterfly brackets are correctly spaced by sliding the top one as far up as it will easily go and the lower one as far down as it will easily go. The other two should be spaced equally between the top and bottom. Engage the back edge of the wall profile cover over all four butterfly brackets and then swivel the cover around to engage over the front of the wall profile and clip into position. **NOTE** The "flatter" edge of the covers are towards the door opening and the tighter rolled edge engages the butterfly brackets.

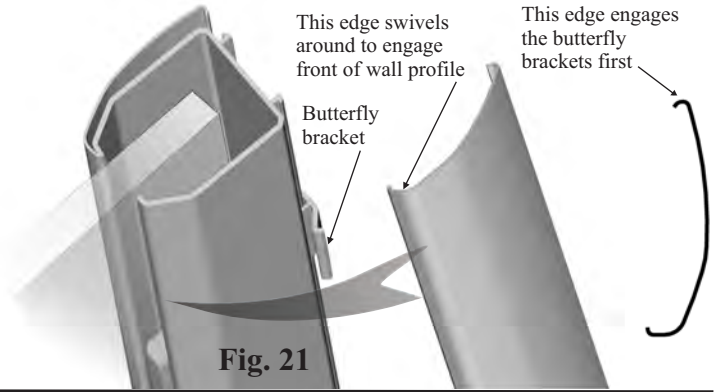


Fig. 21

14 FITTING THE GLASS PANEL SEALS. NEXT Fit the glass seals at junction of glass and wall profiles. Remove the plastic protective film from the wall profile covers at this time by peeling it away.

Fit glass edge seals to both inner and outer faces of two fixed panels at junction of wall profiles and glass

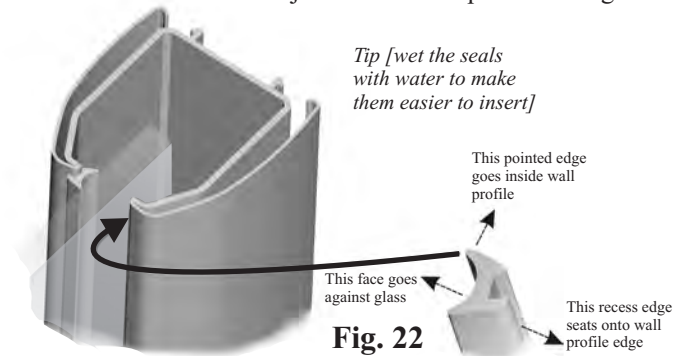


Fig. 22

15 FIT THE TWO TOP CAPS to the wall profiles using the No.6 x 12 screws supplied.

FINALLY SEAL THE ENCLOSURE, Using a clear silicone sealant apply a thin bead to all the edges as shown. To achieve a neat finish it is recommended that each joint to be sealed is masked either side with masking tape so that only a maximum of 3mm either side of the joint is exposed. The masking tape should then be removed immediately after sealing (DO NOT allow silicone to dry over masking tape).

DO NOT USE OR DISTURB THE ENCLOSURE FOR 24 HOURS AFTER SEALING TO ALLOW THE SILICONE TO DRY.

INSIDE
Seal to wall over full height on the INSIDE

INSIDE
Seal to wall over full height on the INSIDE

Top Cap

OUTSIDE
Seal to wall over full height on the OUTSIDE

OUTSIDE
Seal to wall over full height on the OUTSIDE

NOTE: Do not seal to tray on the inside of the enclosure



Run the sealant up both sides of the gaskets where they meet the wall profiles and bottom rail - do this on both fixed panels to the left and right of the door on the OUTSIDE only

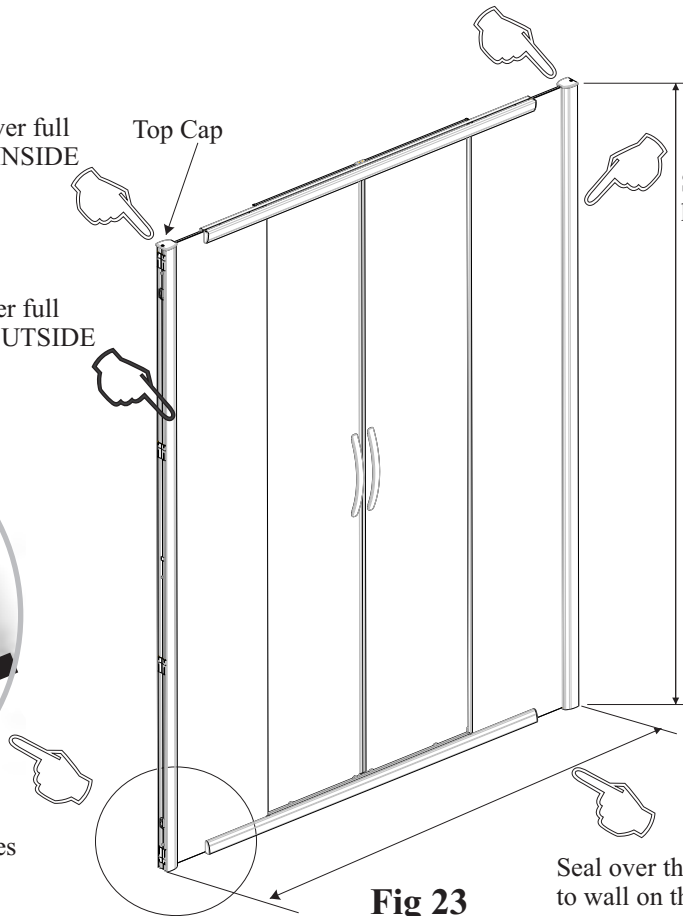


Fig 23

Seal over the full width wall to wall on the OUTSIDE only



All Kudos enclosures and trays carry a lifetime guarantee against manufacturing defects.

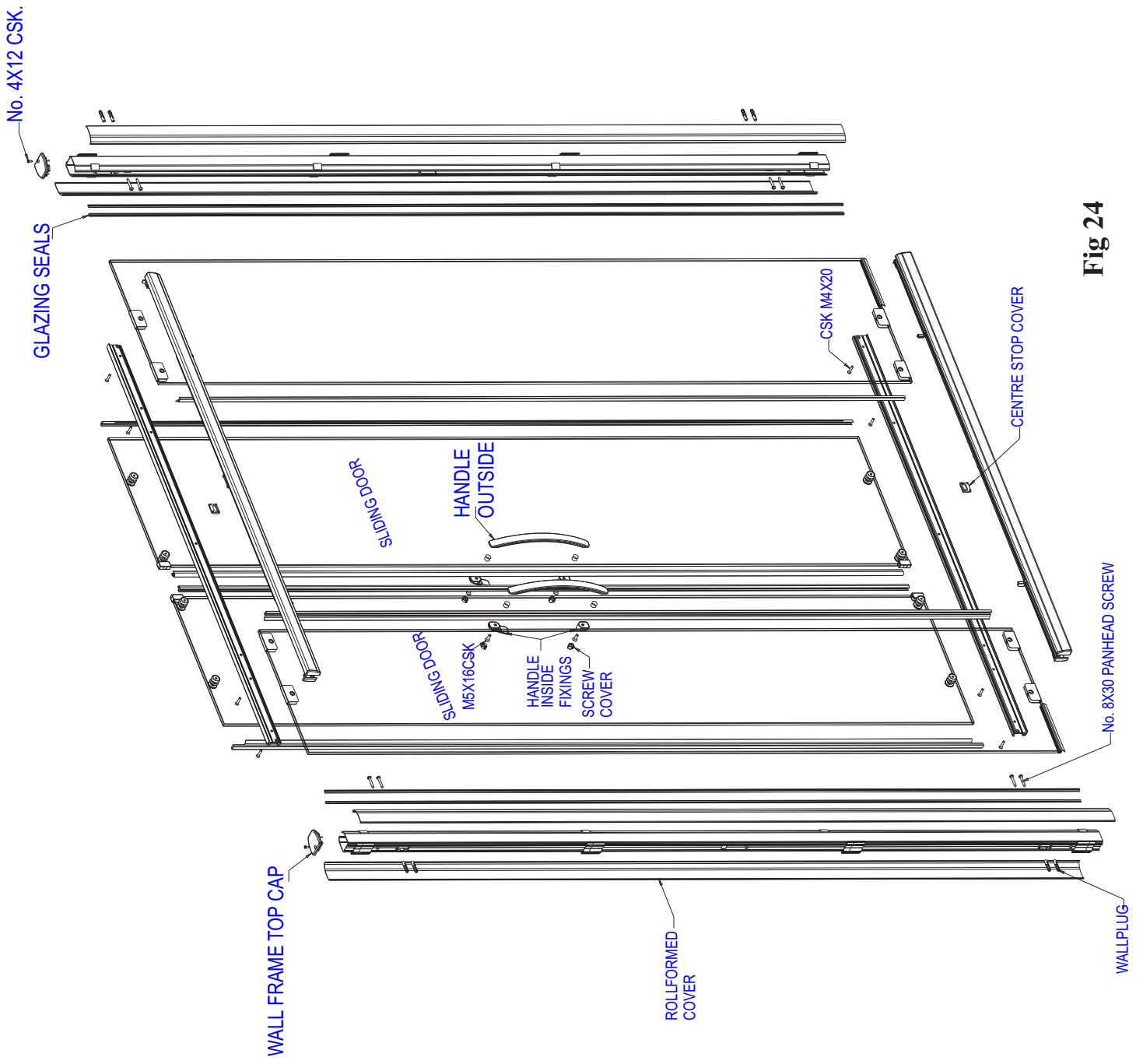


Fig 24