

INFINITE RANGE - HINGE DOOR



HINGE DOOR + 2 SIDE RETURN PANELS (PENINSULA)

Please read these instructions before installing, as incorrect fitting will invalidate the guarantee-carry out each stage before moving onto the next. There are three sets of instructions enclosed in this pack. Select the set to suit your configuration.

1. Hinge Door Only (Recess)
2. Hinge Door + 1 Side Panel (Corner)
3. Hinge Door +2 Side Panels (Peninsula)

If you are unsure about these instructions please contact Kudos Shower Products:

Customer Service Helpline: 01539 564040

IMPORTANT SAFETY NOTICE

The glass supplied with this enclosure is toughened safety glass in accordance with British Safety Standards. Care should be exercised when handling the glass to avoid knocking or bumping the glass, particularly the edges and corners of the glass as this could cause the glass to shatter into small fragments. It is essential to protect the glass by resting it on a soft protective surface during installation such as cardboard or carpeting.

KEY STAGES TO INSTALLATION

- 1 Check if you need left or right door configuration
- 2 Install wall frames vertical and plumb.
- 3 Fit large glass side panels and two front panels
- 4 Fit Head and Bottom rails
- 5 Adjust, plumb, level then tighten clamps
- 6 Fit door glass onto hinges
- 7 Fit the handle
- 8 Fit the door seals
- 9 Fit wall profile covers
- 10 Fit seals between glass and wall profiles
- 11 Remove protective film from wall profile covers
- 12 Silicone seal the unit

TOOLS REQUIRED

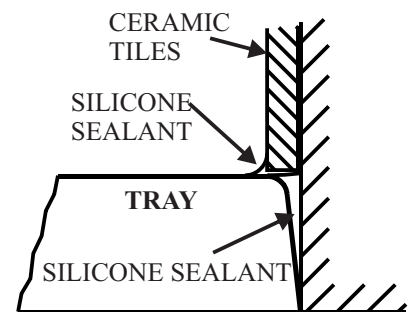
- Flat-headed screwdriver - medium
- Pozi-drive screwdriver - medium
- Spirit level
- Tape measure
- Silicone sealant - clear
- Electric drill
- 7mm masonry drill
- 4mm & 2.5mm allen keys (supplied)
- Scissors
- Pencil
- Screw wizard tool (supplied)

Use this useful screw wizard tool to insert screws through wall profiles into wall and start first one or two turns then use your conventional screw driver.



IMPORTANT

- Check appearance of shower enclosure. Any defects must be reported to Kudos Shower Products before assembly / installation.
- Claims for imperfections will only be accepted prior to assembly / installation
- Ensure shower tray is level in all directions
- Prior to installation, any gap or crevice between the rim of the tray and wall must be filled with silicone sealant flush with the rim of the tray - see detail opp.
- Waterproof walls using ceramic tiles/shower panels etc., before installation.
- Check the enclosure adjustment sizes are suitable for your installation
- Use care when drilling into walls to avoid hidden pipes or electrical cables



CLEANING

GENERAL- use only warm soapy water and damp cloth/sponge on a regular basis.

Do not use abrasive scouring powders, chemicals or aerosol cleaners- these may result in damage to the surfaces, in particular, the chrome plated component parts

THESE INSTRUCTIONS ARE TO BE LEFT WITH THE USER

1 CONTENTS, carefully check contents. It is advisable to keep contents in protective packing until required. See back page of these instructions for itemised drawing of package contents.

2 Before starting the installation, check you have selected the correct door for the configuration you require. Doors are available in both left and right options. The side panels are common and fit both a left and right hand hinged door on either side.

IMPORTANT: When installing any of these configurations it is essential that you position both wall profiles 15mm in from the flat vertical side faces of the tray.

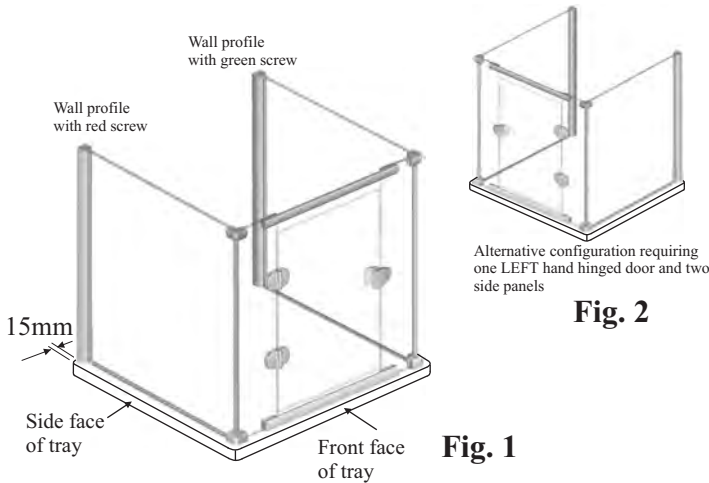


Fig. 1

For this configuration you require one RIGHT hand hinged door and two side panels

3 FITTING THE WALL FRAMES, When looking outward from inside of the enclosure, the left wall frame is identified by the green screw which should face the inside of the enclosure and be nearest to the top. Similarly the right wall frame is the one with the red screw which should face the inside of the enclosure and be nearest to the top. (See below Fig.3)

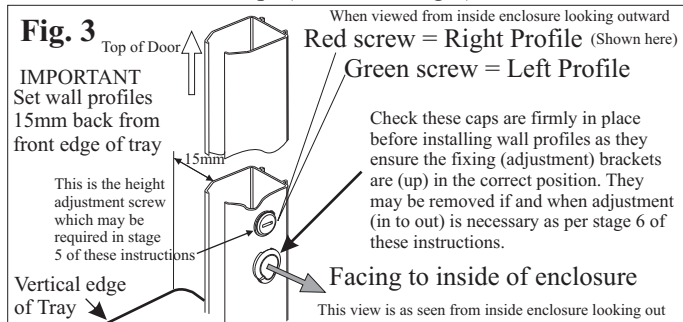


Fig. 3

Each wall profile is screwed to the wall with 4 No8x30 screws and wall plugs (provided). Position one wall profile on tray 15mm from front face of tray (see Figs.1 and 4) and using a spirit level ensure it is vertical (not leaning backwards or forwards in the opening). Mark the position of the 4 holes on the wall through the wall profile. Remove wall profile and drill holes in wall using 7mm masonry drill bit.

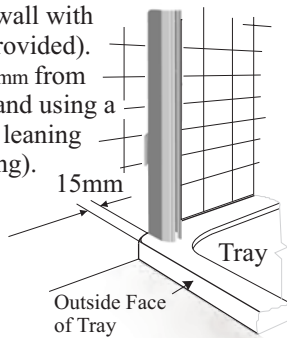


Fig. 4

NOTE: The instructions and illustrations show the left side panel. For clarity only the one side is shown - for the right side panel simply repeat the steps with the illustrations mirrored.

Insert wall plugs provided (or fixings to suit the construction of your walls) screw wall profile into position. Then repeat stage 2 for the other wall profile. Use spirit level to check the wall profiles are vertical. If not, adjust using the lateral adjustment screws: (see "Guide to Adjustments" in stage 6 further in these instructions to identify the lateral adjustment screws)

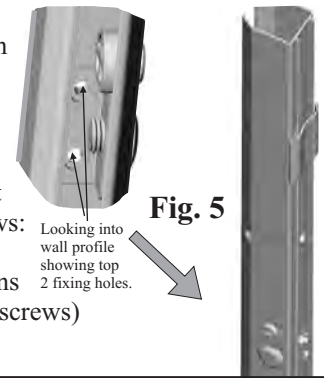


Fig. 5

4 FITTING GLASS PANELS,

4.1 On the large glass side panel there is a corner seal into which one of the door side panels will be inserted to form the corner. Using the detail in Figs. 6 & 7 determine the bottom of the large side panel and fit the bottom seal as shown.

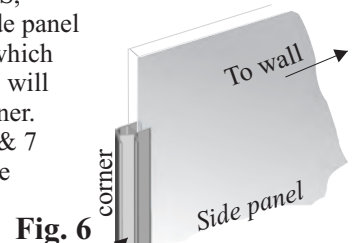


Fig. 6

This is the corner seal
This is the bottom seal

This is the seal for the bottom of the side panel. The soft edge must be to the inside of the enclosure and be set 30mm from the corner when fitting gasket.

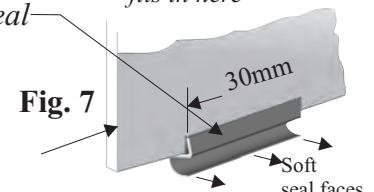


Fig. 7

Fit the corner brackets by sliding them onto the outer bottom corners of the large side panels (Fig. 8) until the edge of the corner seals line up with the brackets as in Fig. 9. Tighten grub screws on the inside face with the 3mm allen key supplied.

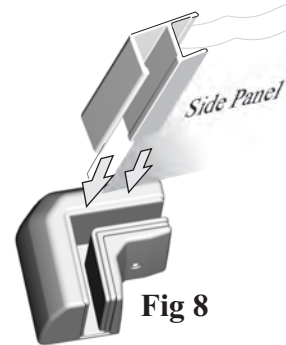


Fig 8

Corner seals must line up on brackets as shown so front glass panels can slide into the brackets and seals.



Fig 9

4.2 Insert large side panels into wall profile glass clamps (see Fig.10) with the soft seal onto the tray and the fitted corner bracket to the front. Move the panels in or out until the corner brackets are spaced an equal distance from the front edge of the tray and the side face of the tray. Ensure the panels are vertical then fully tighten the 6 glass clamp screws using 2.5mm allen key supplied see Fig 17. If after adjusting for vertical, the corner brackets are not seated firmly on the tray, loosen grub screws and tap the brackets down onto the tray (caution - do not exceed 5mm adjustment on this bracket) Pack between bracket and tray if you require more adjustment.

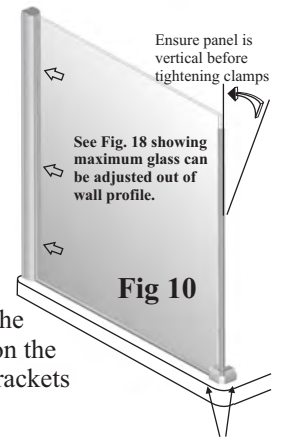


Fig 10

Distance from corner bracket to flat face of tray should be equal on both sides.

The design makes it impossible to break the glass by over tightening because the screw heads will tighten against the wall profiles first. So do ensure these are fully tight.

4.3 The gaskets already fitted to the narrow glass panels are to suit a door only application. Remove these gaskets and replace with the shorter gasket supplied. Fit these gaskets 70mm from those edges of the panels that will be adjacent to the door. See Fig 11.

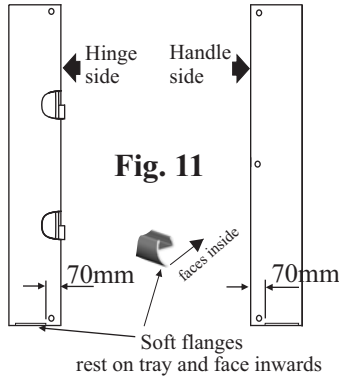


Fig 11

4.4 Determine whether your configuration has the hinges or the handle adjacent to the large left side panel (see Fig.12) insert either the hinge, or handle, narrow glass panel (depending on your configuration) into the corner seal and bottom corner bracket as described in 4.5 below and repeat for the remaining narrow glass panel on the right side corner. *TIP Wet the seal and glass edge with a water soaked cloth to make it easier to insert the glass fully.*

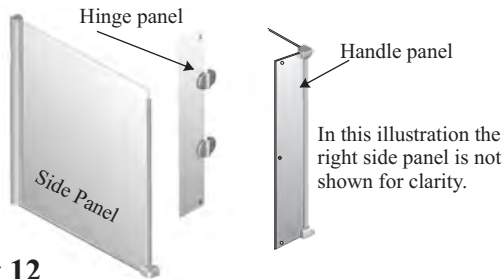


Fig 12

4.5 Before you insert the narrow glass panels into the corner seals be sure to wet the sides and edges of the glass that are to be inserted into the seals with a wet cloth, this will make it easier to insert. Slide the narrow panels into the top of the corner gaskets, lining up the top edges of the glass with the top of the side panels and then push into the corner gaskets over the full height, and into the bottom corner brackets. Fit the top corner brackets and tighten the allen key grub screws on the side panels only. Do not tighten the grub screws to the narrow glass panels at this time.

5 FITTING HEAD AND BOTTOM RAILS, The bottom rail is the one with the nylon rail support screws fitted to the underside (see Fig.13)

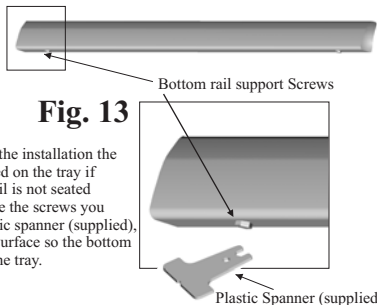


Fig 13

Further on in this stage of the installation the enclosure will be levelled on the tray if necessary. If the bottom rail is not seated firmly on the tray, these are the screws you will turn out with the plastic spanner (supplied), until they rest on the tray surface so the bottom rail is fully supported on the tray.

Remove clamp plates from the ends of the bottom rail Fig.14 and fit rail to the fixed glass panels at the bottom, re-fit the clamps at each end with the screw passing through the glass hole. Similarly fit the top rail in position.

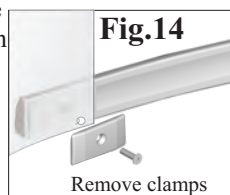


Fig 14

IMPORTANT:

To ensure the door opening is the correct width, line up the head and bottom rail clamps with the vertical and horizontal edges of both the fixed glass panels, moving the large side panels in or out if necessary. Ensure narrow glass panels are both vertical and the door opening is central then fully tighten all four rail clamps.

IMPORTANT:

Ensure that both fixed panels are vertical and head and bottom rails are parallel.

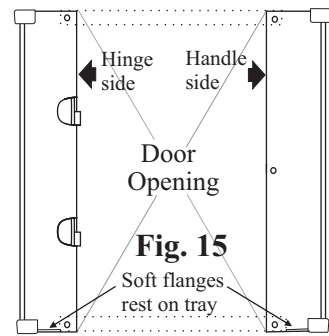


Fig 15

Place a spirit level onto the bottom rail and check if this is level. If not, use the height adjustment screws to level the unit. See the "Guide to Adjustments" in stage 6

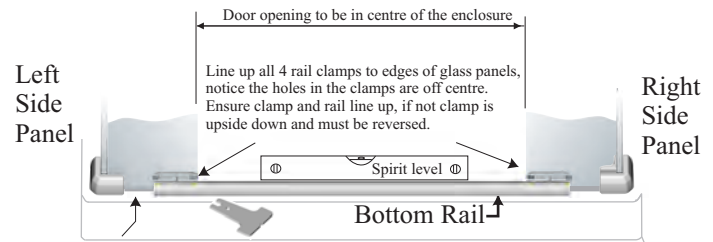


Fig 16

If the height adjustment creates a gap under the bottom rail, adjust "rail support screws" downwards with this plastic spanner until they seat onto the tray and the rail is fully supported on the tray, see Fig. 13

Before tightening the remaining grub screws in the bottom corner brackets ensure they are seated onto the tray, if not tap down then tighten. Check all clamps and brackets have been fully tightened before proceeding to fitting the door in stage 7.

6 Guide to adjustments shown on inner face of wall profile

The unit is designed to enable 3 dimensional adjustment during installation without removing any part of the unit already installed. The diagram here illustrates the adjustments possible and their location.

GUIDE

1. Upper Glass Clamp
2. Middle Glass Clamp
3. Lower Glass Clamp
4. Height Adjuster (up & down)
5. Top Lateral Adjuster (in & out)
6. Lower Lateral Adjuster (in & out)

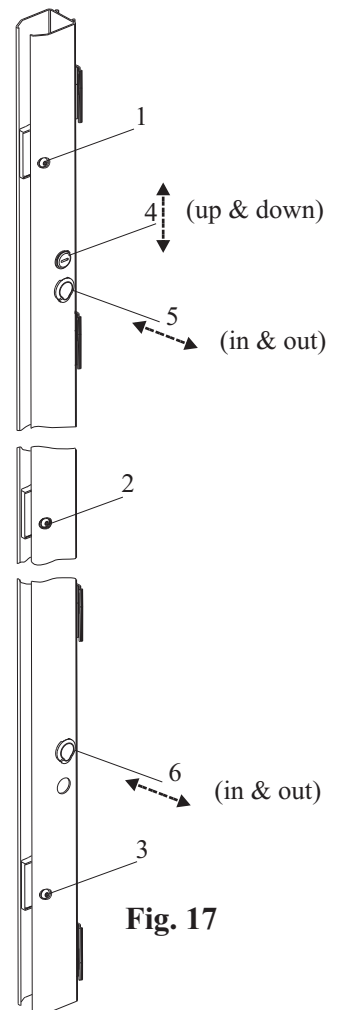


Fig 17

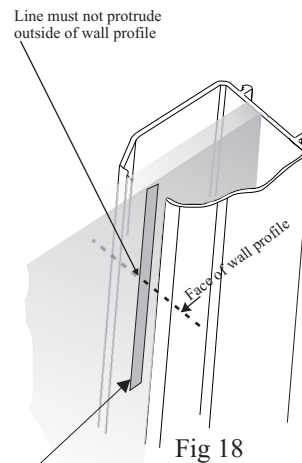


Fig 18

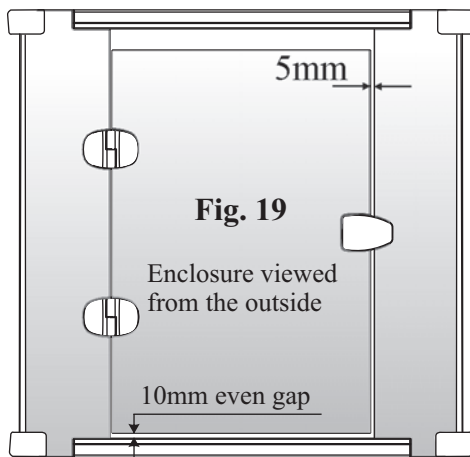
Line markings on glass at top and bottom must not protrude outside of wall profile after adjusting panels as this will result in clamps not gripping the glass fully

7 FITTING THE DOOR. *Note: Due to the weight of the door, this stage requires two persons to lift the door into position.* Carefully lift the door from the protective packaging and lift it into position so that the hinge spindles are directly aligned to the hinge holes. Gently lower into position taking care to guide the spindles into the holes. **DO NOT BUMP GLASS WHEN FITTING - THE EDGES AND CORNERS ARE THE MOST VULNERABLE AND CHIPPING THESE COULD CAUSE THE SAFETY GLASS TO FRAGMENT.**

If the opening was correctly set in stage 5, Fig. 16, the gap on the handle side and underside of the door will be:

5mm on the handle side of the door to the fixed panel
10mm between door & bottom rail.

Should this not be the case please remove the door and repeat stage 5, otherwise proceed to stage 8.



Handle shown here but not yet fitted

8 FITTING THE HANDLE Remove handle from packaging.

Separate the front from the back half by removing the two m6 Allen key screws using the 4mm Allen key (supplied). Assemble handle onto door and loosely screw together in place.

Move the handle until the small clear button on the inside face of the outer handle is central over the round magnetic catch in the fixed glass panel. Tighten fully the m6 Allen key screws. Remove the screw cover from the installation parts package and press onto the screw cavity in the handle.

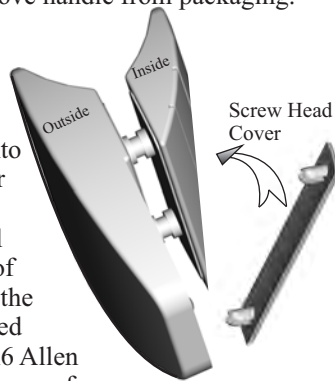


Fig. 20

9 FITTING THE DOOR SEALS. Identify the hinge side door seal. Position this seal against panel on hinge side ensuring the top of the seal is in line with the top of the door. Press over glass ensuring it is fully seated over the entire length. Next fit the door closing side seal in similar manner.

To make it easier to fit, run a wet cloth down the edge of the glass to which the seal is to be fitted.

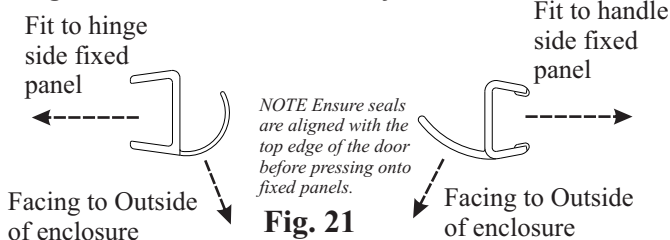


Fig. 21

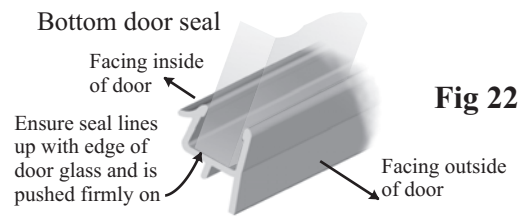


Fig 22

10 FINAL ADJUSTMENT CHECK Open and close the door and check if bottom gasket catches on the bottom rail at the bottom corner on the handle side of the door. If so, it is necessary to adjust for sag due to the door weight. Press firmly on the top of the large side panel at the corner and hold - this will raise the bottom rail under the hinge side of the door. Now adjust the bottom rail support nut down onto the tray. Release the pressure on the side panel and check the door opening again. Repeat this procedure if necessary until the door opens and closes freely.

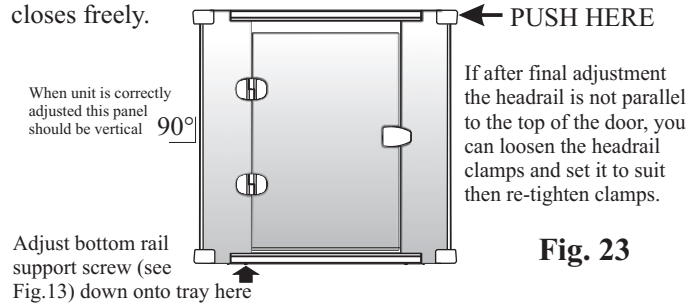


Fig. 23

11 FITTING THE WALL PROFILE COVERS Care should be used when handling these covers, before they are fitted to the wall profiles.

Ensure nylon butterfly brackets are correctly spaced by sliding the top one as far up as it will easily go and the lower one as far down as it will easily go. The other two should be spaced equally between the top and bottom. Engage the back edge of the wall profile cover over all four butterfly brackets and then swivel the cover around to engage over the front of the wall profile and clip into position. **NOTE** The “flatter” edge of the covers are towards the glass and the tighter rolled edge engages the butterfly brackets.

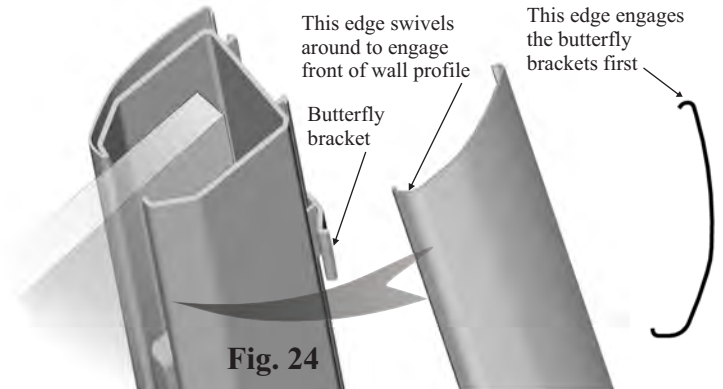


Fig. 24

12 FITTING THE GLASS PANEL SEALS. **NEXT** Fit the glass seals at junction of glass and wall profiles. Remove the plastic protective film from the wall profile covers at this time by peeling it away.

Fit glass edge seals to both inner and outer faces of the fixed panels at junction with the wall profiles.

Tip [wet the seals with water to make them easier to insert]

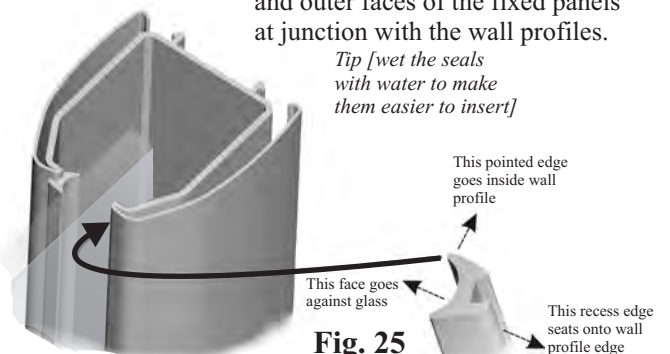


Fig. 25

13 FIT THE TWO TOP CAPS to the wall profiles using the No.6 x 12 screws supplied.

FINALLY SEAL THE ENCLOSURE, Using a clear silicone sealant apply a thin bead to all the edges as shown. To achieve a neat finish it is recommended that each joint to be sealed is masked either side with masking tape so that only a maximum of 3mm either side of the joint is exposed. The masking tape should then be removed immediately after sealing (DO NOT allow silicone to dry over masking tape).

DO NOT USE OR DISTURB THE ENCLOSURE FOR 24 HOURS AFTER SEALING TO ALLOW THE SILICONE TO DRY.

OUTSIDE

Seal to wall over full height on the OUTSIDE on left and right wall profiles

Top Cap

INSIDE

Seal to wall over full height on the INSIDE both left and right

NOTE: Do not seal to tray on the inside of the enclosure

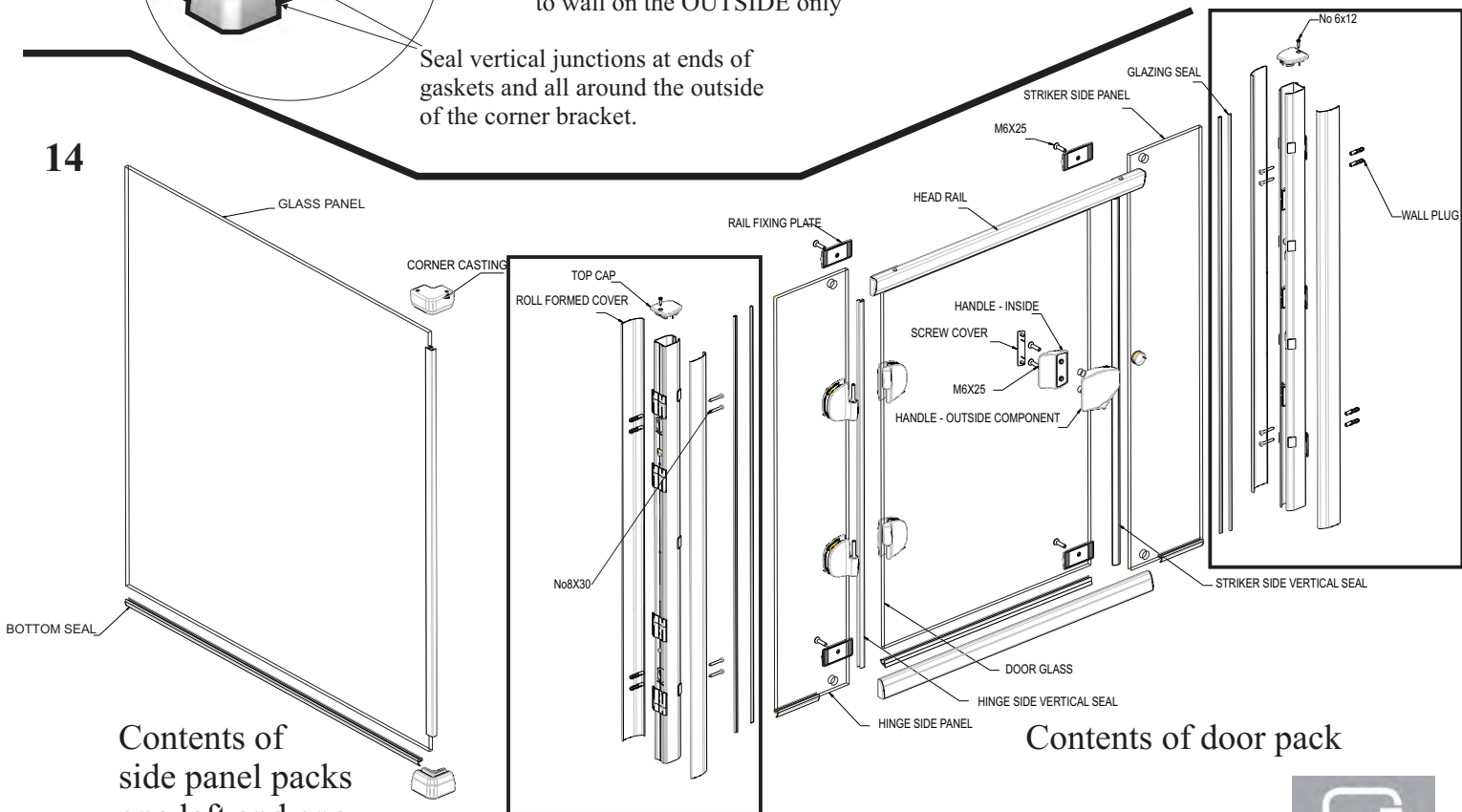
Seal over the full perimeter wall to wall on the OUTSIDE only

This panel not shown in full for clarity

Run the sealant up BOTH SIDES of the gaskets where they meet the wall profiles, corner bracket and bottom rail - do this on both fixed panels and side panel to the left and right of the door on the OUTSIDE only

Seal vertical junctions at ends of gaskets and all around the outside of the corner bracket.

14



Contents of side panel packs one left and one right hand (right panel not shown for clarity in this illustration)

Contents of door pack

The items shown in these frames are used in conjunction with the side panels for fixing to the wall, when a left side panel (viewed from outside is required use this wall profile For a right side panel application use the right wall profile components

