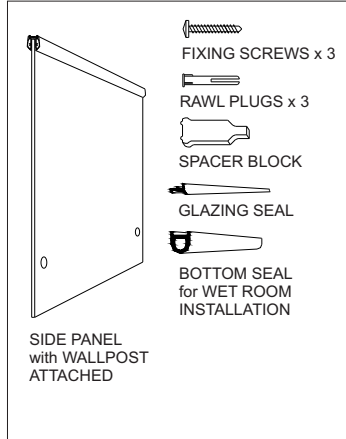
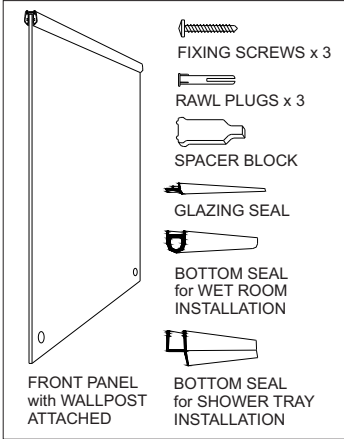


**Please read these instructions in conjunction with the main installation instructions if you are installing this enclosure WITH shower tray but WITHOUT the Aqualisa Quartz Shower System**

#### PACK CONTENTS

Please ensure that you have the correct packs and all the necessary components before starting your installation.



**PACK 5WB** (for 1500 tray)  
**PACK 5WD** (for 1700 tray)  
FRONT PANEL SIDE ENTRY  
(WITHOUT TOWER)

**PACK 5WG** (800 panel)  
SIDE GLASS PANEL



**PACK 5WL**  
1000 / 1200  
FRONT PANEL  
COMPONENT KIT  
**WITHOUT**  
SHOWER TOWER



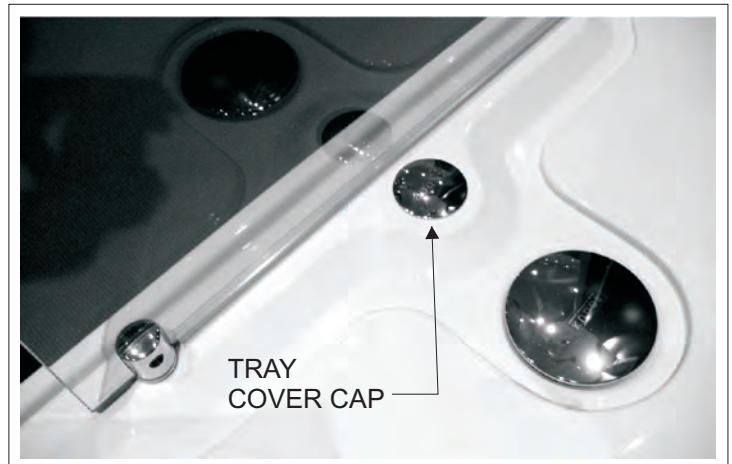
**PACK 5WP**  
800 / 900 / 1000  
SIDE PANEL  
COMPONENT KIT

#### INSTALLATION

Refer to stages 13-29 of the main installation instructions. Please ignore all stages which refer to the Aqualisa Shower and Shower Tower System.

#### TRAY COVER CAP

Remove protective paper film from gasket on underside of cover cap and insert into 35mm diameter hole in tray, pressing firmly down to achieve a watertight seal.



#### IMPORTANT

The KUDOS WALK-IN range has been specially designed around the glass-mounted KUDOS shower column, providing water delivery which is directed away from the opening via the integrated AQUALISA digital shower system. KUDOS Walk-Ins are also available without the shower column for use with other shower valves traditionally sited within the enclosure, however, as with most walk-in enclosures, **positioning and direction of the shower-head** and water pressure can lead to some water escaping from within the enclosure.